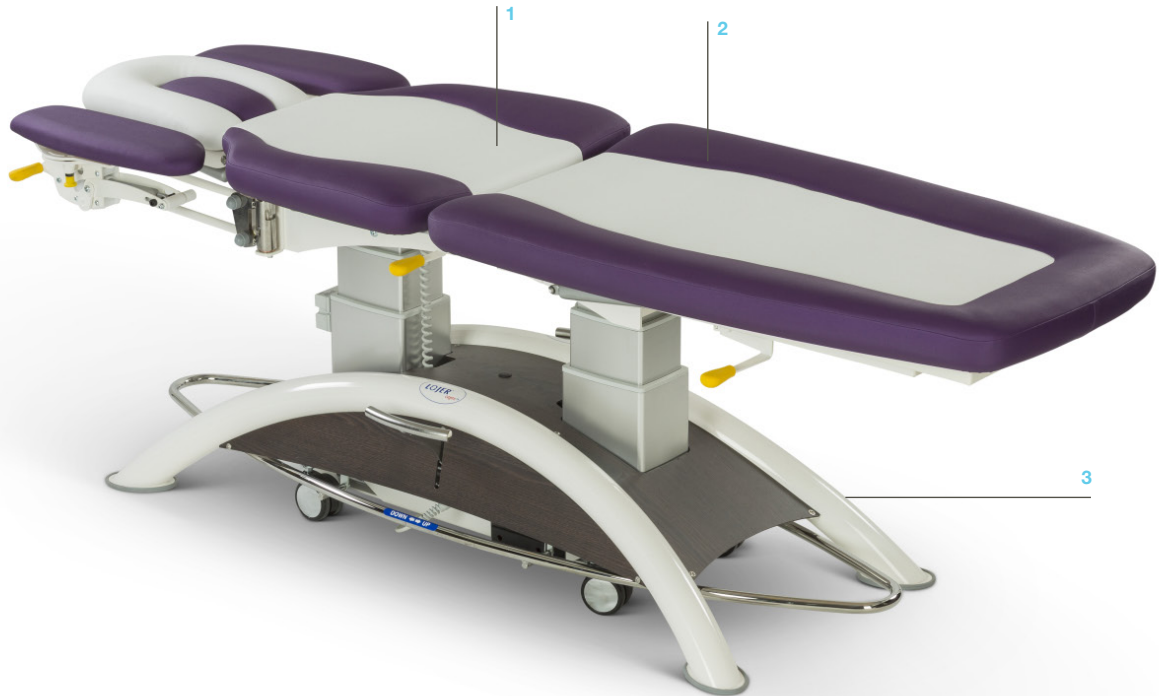
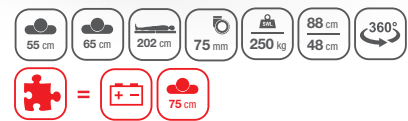


Capre FX5 Treatment table



Product pictured with optional accessories.



Main features:

1. Modern look with durable and stylish two-coloured upholstery
2. Sturdy frame and two separate motor pillars make the table extremely stable - Safe Working Load (SWL) of 250 kg
3. Side-foldable armrests together with other stunning accessories make the table versatile, ergonomic and easy to use

The Lojer Capre FX5 is an outstanding treatment table, with design and features to meet or exceed the needs of even the most demanding users. Its anatomically shaped two-colour upholstery supports the patient, and the elegant design makes the Lojer Capre FX5 a fine interior decoration element. The upholstery material is extremely durable and the antimicrobial fabric is also easy to clean, waterproof and has excellent disinfectant features.

The silent Lojer Capre FX5 takes up very little space as two pillars lift it straight up. Sturdy frame and two separate motor pillars make the table extremely stable - Safe Working Load (SWL) is 250 kg. The table can also be used in the chair position, thanks to the design of the lower frame. Versatile and easy to use adjustments, such as side-foldable armrests, gas spring assistance and electric hi-low feature, make therapist's work easier. The stepless adjustable extension, and flexion angle of the foot section and multiple height settings help patients get on and off the table.

LOJER® For easy care

Technical data and features	
Table sections	Five sections: head, back and foot section, two arm supports
Total width	55, 65 and 75 cm
Total length	202 cm
Total weight	120 kg
Height adjustment	48-88 cm
Height adjustment of arm supports	0-31 cm
Drainage angle	0-20°
Head section with gas spring	-90° - 35°
Leg raise with gas spring	-12° - 70°
Other standard features	Central locking castors Electrical table top height adjustment with 360° foot bar Two-coloured, anatomic upholstery Arm supports that can be turned to side supports Head support adjustment with gas spring Head section, oval or U-shaped White painted frame tubing Standard black cover plate
Upholstery	Several material and colour options available, information on request
Safe Working Load (SWL)	250 kg
Electric system	24V
CE-marking	Yes
Warranty	2 years
Country of Manufacture	Finland

Options and accessories:

- Double hinged head support
- Drainage with gas spring
- Drainage with electric assistance
- Battery operation
- Chromium frame tubing
- Several cover options: wood imitation, stainless steel, glossy white, carbon fibre and black metal paint
- Conventional upholstery (non-anatomic, same as in Capre F)
- Paper roll holder (50 or 60 cm)
- Face hole cover
- Extra width upholstery 75 cm
- Extra foot control
- Extra hand control

